



**LUMBECK[®]
& WOLTER**

Quality is the difference

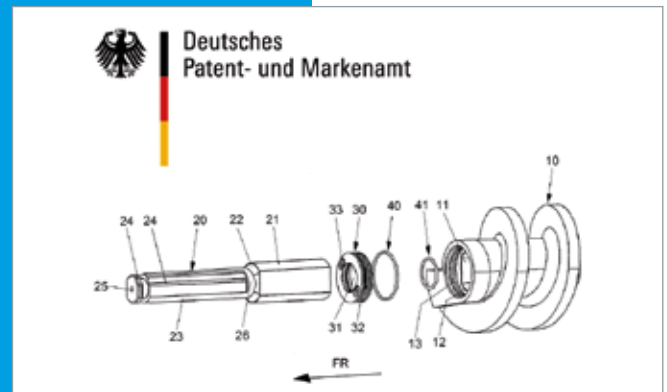


INSIGHTS

Since 1920

PATENTS AND DEVELOPMENTS

- Consistent customer contact lets us transform the wishes and demands of the market into new products
- We have registered patents from this together with the partner



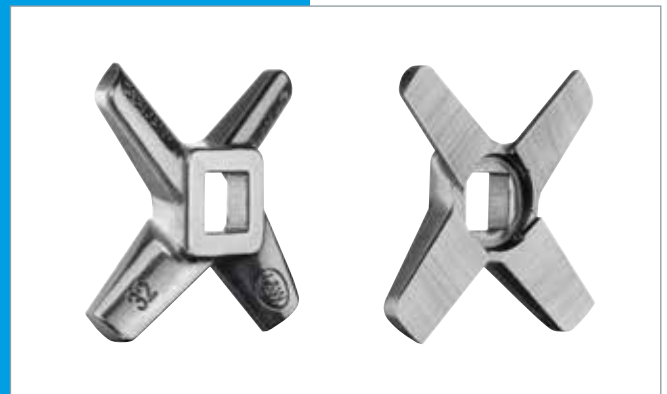
ROBOT S4 – UNGER SYSTEM

- The so-called Unger system is the standardised and most frequently used cutting system in Europe.
- Our product range covers all common applications



CROSS KNIFE – ENTERPRISE SYSTEM

- The Enterprise system is a cutting system that is primarily used in 2 parts.
- This system is especially popular for minced products



TECHNOLOGY

- Filling grinder technology
- Ultra-fine shredding
- Cutting and separating systems
- Minced meat technology
- Customised applications
- Individual process solutions



LUMBECK & WOLTER GMBH & CO. KG

**Head Office & Production
Plant I**

Linde 72-72
42287 Wuppertal

**Administration & Logistics
Plant II**

Rosenthalstr. 19
42369 Wuppertal

T +49(0)2 02/2 46 51-0
F +49(0)2 02/2 46 51-65
info@lumbeck-wolter.de
www.lumbeck-wolter.de